

Catalog Number
Notes
Type



ILLUMINATION

- Long-lasting, efficient, ultra-bright white LED lamp heads.
- 3.6 watt (3 LEDs x 1.2 watt) per head.
- Adjustable LED lamp heads provide optimal center-to-center spacing.
- Long-life, energy efficient Red or Green LED EXIT sign illumination.

ELECTRICAL

- Dual 120/277V.
- Unique bi-color LED indicator light alerts occupant on battery condition (Green-normal, Red-check battery).
- 6V long life, maintenance free, rechargeable NiCd battery.
- Internal solid-state transfer switch automatically connects the internal battery to LED board and lampheads for minimum 90-minute emergency illumination.
- Fully automatic solid state, two rate charger initiates battery charging to recharge a discharged battery in 24 hours.

MOUNTING

- Die-cast aluminum mounting canopy included for top or end mount.
- Universal knockout pattern on back plate for wall mount.

HOUSING

- 5VA flame-retardant, UV stabilized polycarbonate in white, black or gray finish.
- High-impact resistant, UV stabilized polycarbonate clear lens.
- Corrosion-resistant enclosure with engineering grade silicone gasket.
- Knockouts provided for conduit feed applications.
- EZ snap-out chevron directional indicators.

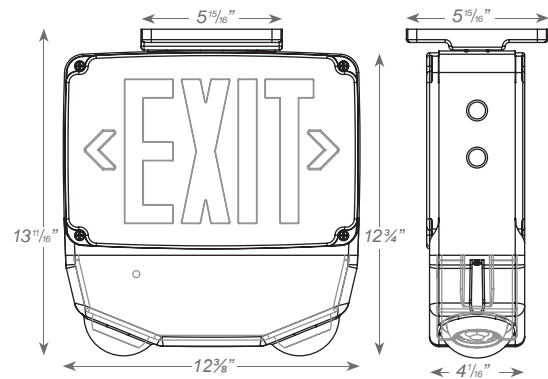
OPTIONS

- RC: Remote capacity of up to 7.2 watts.
- SDT: Self-diagnostic feature performs monthly, biannual, and annual tests to ensure reliable operation and meets electrical and life safety codes.
- TP: Tamper-proof hardware helps discourage unauthorized access to the unit.
- CW: Optional internal heater and battery blanket for extreme cold temperature applications (-20°C – 50°C).
- Custom: Signs available with requested "special" wording.

WARRANTY/LISTING

- Five year warranty on all electronics and housing. Battery prorated for five years.
- Meets UL924, NFPA 101 Life Safety Code, NEC, OSHA, Local and State Codes.
- UL listed for wet locations (0°C – 50°C).
- Certified to CEC under Title 20 Regulations.

DIMENSIONS



ORDERING INFORMATION

Sample Part Number: **WPC1RW**

MODEL	No. of FACES	LETTER COLOR	HOUSING COLOR	Options			
WPC	1	Single Face	R Red	W White	RC Remote Capacity	CW Cold Weather	
	2	Double Face	G Green	B Black	SDT Self-Diagnostics	CUSTOM Custom Wording	
				G Gray (with white faceplate)	TP Tamper-Proof		

Special voltage options available.