

Catalog Number
Notes
Type



### ILLUMINATION

- Long-lasting, efficient, ultra-bright white LED lamp heads.
- 1.0 watt (8 LEDs x 0.125 watt) per head.
- High performance chrome-plated metalized reflector and plastic lens for optimal light distribution.
- Adjustable LED lamp heads provide optimal center-to-center spacing.
- Optional high lumen heads are 1.5 watts (12 LEDs x 0.125 watt per head) and provide increased center-to-center spacing.

### ELECTRICAL

- Powered from low voltage power source with low voltage wiring (not provided).

### MOUNTING

- Universal mounting adapter plate included. Mounts to single-gang switch box.
- Distance of maximum run is determined by system voltage, wire gauge and total maximum wattage on the run.
- Suitable for wall or ceiling mount.

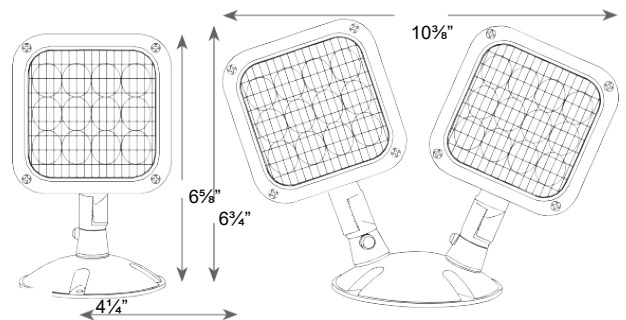
### HOUSING

- Available in both engineering grade, high-impact resistant polycarbonate or premium grade die-cast aluminum housing. Sealed and gasketed in standard gray or black finish.
- Sealed and gasketed in standard gray or black finish.

### WARRANTY / LISTING

- Five year warranty.
- UL Listed with approved BritePath Lighting Products.
- Meets UL924, NFPA 101 Life Safety Code, NEC, OSHA, Local and State Codes.

### DIMENSIONS



### FIXTURE COMPATIBILITY LIST

Reference individual unit equipment specification sheets for remote load capacity availability.

MODEL TYPE		
TER-RC	CTCT-RC	
TCL	CTC-RC	DAC-RC
TUR-RC		CTU-RC
	TURM	CSUL
CRSU	TURH	CSU
SUL	NYSU	
CSC-RC	WPC-RC	

SDT versions of the fixtures are not compatible with the WLRH heads.

### ORDERING INFORMATION

Sample Part Number: **WLRH1WPMV**

MODEL	No. of HEADS	OPTIONS	HOUSING	VOLTAGE	COLOR	LAMP TYPE <sup>1</sup>
WLRH	1 Single Head	(blank) For Standard	PWP Polycarbonate	MV For Use With 3.6V, 6V, 9.6V & 12V DC Power Source	(blank) Gray B Black	(blank) 8 LEDs 1W
	2 Double Head	SDT Non-Self-Diagnostic Fixtures For Use With Fixtures With A Self-Diagnostic Option	WP Die-Cast			HL 12 LEDs 1.5W

<sup>1</sup>Wattage rating stated per head.