

ELECTRICAL - INPUT

- Input voltage operating range +10 / -15%
- Input power factor correcting to 0.99.
- Frequency range 60 Hz, ±2.5 Hz.
- Input harmonic current distortion < 5% THD.
- UL1449, ANSI/IEEE C62.41 surge suppression.

ELECTRICAL - OUTPUT

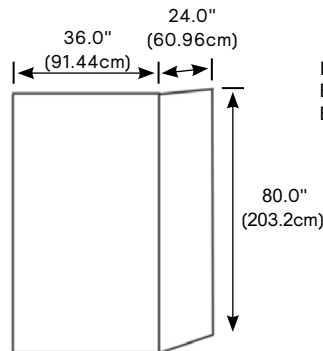
- Sine wave output.
- Voltage regulation ±2%.
- Frequency regulation - synchronized to utility, free running 60 Hz, ±0.5%.
- Output voltage distortion maximum 3% THD with linear load.
- Load power factor capability 0.7 lead to 0.7 lag.
- Overload capability 125% for 10 seconds.

Vin	Input Breaker	Input Amps	Vout	Output Amps
120V	70A	48A	120V	35A
277V	30A	21A	277V	15.2A
120/240V	40A	24.3A	120/240V	35 / 17.5A
120/208V	40A	28A	120/208V	35 / 20.2A
			120/277V	35 / 15.2A

BATTERY

- Maintenance free, sealed lead calcium battery with a design life up to 10 years, and optimum operating range of 65°F (19°C) to 85°F (30°C).¹
- 4 Stage, temperature compensated charger, 1% ripple.
- Recharge time UL924 / NFPA101 compliant (24 hours).
- Bus voltage 120VDC.

DIMENSIONS



Inverter Weight: 840lbs
 Battery Weight: 760lbs
 BTUs / HR Full load: 2,005

Footnote

¹ Optimum operating temperature of batteries is 77°F (25°C).
 Temperatures above 85°F (30°C) adversely impact battery life.

Check List

Catalog No: _____

VA Rating: _____

Battery Type: Maintenance free, Sealed Lead Calcium

Operating Time: 90 Min.

Input: _____ VAC, Single Phase

Output: _____ VAC, Single Phase

Output Circuit Breakers:

	Normally	Timed Normally	Trip Alarm	
Qty: ___ AC Volts: _____ Amps: _____	ON <input type="checkbox"/>	OFF <input type="checkbox"/>	YES <input type="checkbox"/>	NO <input type="checkbox"/>
Qty: ___ AC Volts: _____ Amps: _____	ON <input type="checkbox"/>	OFF <input type="checkbox"/>	YES <input type="checkbox"/>	NO <input type="checkbox"/>
Qty: ___ AC Volts: _____ Amps: _____	ON <input type="checkbox"/>	OFF <input type="checkbox"/>	YES <input type="checkbox"/>	NO <input type="checkbox"/>
Qty: ___ AC Volts: _____ Amps: _____	ON <input type="checkbox"/>	OFF <input type="checkbox"/>	YES <input type="checkbox"/>	NO <input type="checkbox"/>

On Site Factory Start Up (FSU) included

Optional Extended Warranty (EXT): Yes No

Description: _____

(FSU) Factory Start-Up: Includes on site start up by factory authorized technician, system training and demonstration during same site visit. Also provides 12 months of on site warranty service.

OPTIONAL (EXT) Extended Warranty: Will increase FSU on site, 12 month warranty period to a 24 month warranty period.