

Catalog Number
Notes
Type



Centralized
Lighting Inverter

APPLICATION

- Operates LED, incandescent, magnetic and electronic ballast fluorescent, high power factor compact fluorescent and high intensity discharge (HID) luminaires.
- Schools, Sports Facilities, Universities, Mass Transit, Warehouses.
- Provides conditioned, uninterruptible power for other types of critical loads.
- Consult factory for non-lighting load applications.

SAFETY LISTINGS

- UL 924 Emergency Lighting Equipment
- UL 924 Auxiliary Lighting Equipment
- NFPA 101
- NFPA 111

WARRANTY

- Standard warranty: (requires execution of factory start-up within 120 days of shipment) BritePath will provide parts and on-site labor for the first 12 months following start-up of the product, and parts only for an additional 12 months. If factory start-up is not executed within 120 days of shipment, BritePath will provide a parts warranty for 24 months from the date of shipment.
- Extended warranty available: consult factory for extended warranty and service option.

DESIGN

- Free standing, NEMA 1 enclosure with lockable control access panel.
- Double conversion, no interruption output.
- Solid state pulse width modulated inverter.
- Internal, automatic static bypass switch.
- Internal, make before break maintenance by-pass.
- Standard, UL 924 compliant, 90 minute battery back up.
- Microprocessor control and diagnostic system.
- LED readout system status panel.
- User programmable automatic testing.
- RS 232 Communications Port.
- Fault annunciating local audible alarm.
- Normally open contacts for status & alarm communications
- Current limiting start sequence.
- Automatic low battery voltage disconnect.
- Optional output circuit breakers and circuit breakers with trip alarm
- Optional normally off load with time delay.
- Optional Web Based Communications.
- Optional Seismic certification.
- Optional Remote Annunciator.
- 87% throughput efficiency, 85% emergency efficiency.
- Operating temperature range 32°F (0°C) to 104°F (40°C)1.
- Storage temperature -4°F (-20°C) to 122°F (50°C).
- Fault current rating 42 kAIC.
- Audible noise less than 50 dB at 3 ft on "A" weighted scale.

ORDERING INFORMATION

Example: PSU B3.5S N5NXB20 E

PSU	3.5								
Series	Vin / Vout	Unit Size	Battery Time	OCB Distribution	OCB Distribution	Seismic Rated	WebBased Communications	Remote Status	
PSU - BritePath Lighting Single Phase Inverter System	A - 120Vin - 120Vout B - 277Vin - 277Vout C - 277Vin - 120/277Vout D - 120/240Vin - 120/240Vout E - 120/208Vin - 120/208Vout	3.5 - 3.5kVA	S - 90 min R - Other*	EXAMPLE N5NXB20	IF NEEDED	Z - Seismic Rated (blank) - N/A	E - SNMP Ethernet Modbus TCP (blank) - N/A	R - Annunciator (blank) - N/A	

OUTPUT TYPE	BREAKER(s)	Trip Alarm	Pole	Volts	Amps
N-NORMAL ON	0-20	N-No Alarm (up to 20)	X-1P	A-120	15
T-TIMED NORMAL OFF		A-Trip Alarm (up to 10)	Y-2P	B-277	20
			N-N/A	E-208	30
				D-240	N-N/A

*Contact factory for projects requiring alternative battery run times, such as 10 and 20 minutes.



ELECTRICAL - INPUT

- Input voltage operating range +10 / -15%
- Input power factor correcting to 0.99.
- Frequency range 60 Hz, ±2.5 Hz.
- Input harmonic current distortion < 5% THD.
- UL1449, ANSI/IEEE C62.41 surge suppression.

ELECTRICAL - OUTPUT

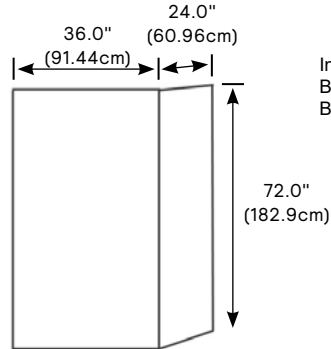
- Sine wave output.
- Voltage regulation ±2%.
- Frequency regulation - synchronized to utility, free running 60 Hz, ±0.5%.
- Output voltage distortion maximum 3% THD with linear load.
- Load power factor capability 0.7 lead to 0.7 lag.
- Overload capability 125% for 10 seconds.

Vin	Input Breaker	Input Amps	Vout	Output Amps
120V	50A	45A	120V	29.2A
277V	25A	19.5A	277V	12.6A
120/240V	30A	21.8A	120/240V	14.5A
120/208V	30A	25.2A	120/208V	16.8A
			120/277V	29.2 / 12.6A

BATTERY

- Maintenance free, sealed lead calcium battery with a design life up to 10 years, and optimum operating range of 65°F (19°C) to 85°F (30°C)¹.
- 4 Stage, temperature compensated charger, 1% ripple.
- Recharge time UL924 / NFPA101 compliant (24 hours).
- Bus voltage 120VDC.

DIMENSIONS



Inverter Weight: 610lbs
 Battery Weight: 646lbs
 BTUs / HR Full load: 1,194

Footnote

¹ Optimum operating temperature of batteries is 77°F (25°C).
 Temperatures above 85°F (30°C) adversely impact battery life.

Check List

Catalog No: _____

VA Rating: _____

Battery Type: Maintenance free, Sealed Lead Calcium

Operating Time: 90 Min.

Input: _____ VAC, Single Phase

Output: _____ VAC, Single Phase

Output Circuit Breakers:

	Normally	Timed Normally	Trip Alarm	
Qty: _____ AC Volts: _____ Amps: _____	ON <input type="checkbox"/>	OFF <input type="checkbox"/>	YES <input type="checkbox"/>	NO <input type="checkbox"/>
Qty: _____ AC Volts: _____ Amps: _____	ON <input type="checkbox"/>	OFF <input type="checkbox"/>	YES <input type="checkbox"/>	NO <input type="checkbox"/>
Qty: _____ AC Volts: _____ Amps: _____	ON <input type="checkbox"/>	OFF <input type="checkbox"/>	YES <input type="checkbox"/>	NO <input type="checkbox"/>
Qty: _____ AC Volts: _____ Amps: _____	ON <input type="checkbox"/>	OFF <input type="checkbox"/>	YES <input type="checkbox"/>	NO <input type="checkbox"/>

On Site Factory Start Up (FSU) included

Optional Extended Warranty (EXT): Yes No

Description: _____

(FSU) Factory Start-Up: Includes an on site start up by factory authorized technician, system training and demonstration during same site visit. Also provides 12 months of on site warranty service.

OPTIONAL (EXT) Extended Warranty: Will increase FSU on site, 12 month warranty period to a 24 month warranty period.