

Catalog Number
Notes
Type



### ILLUMINATION

- Two fully adjustable, ultra-bright 3.3 watt high performance MR-16 base LED lamp heads for optimized center-to-center spacing.

### ELECTRICAL

- Powered from low voltage 6V/12V DC power source with low voltage wiring (not provided).

### MOUNTING

- Universal knockout pattern on back provided with gasket for watertight seal for back mount.
- Distance of maximum run is determined by system voltage, wire gauge, and total maximum wattage on the run.
- Suitable for wall or ceiling mount.

### HOUSING

- Housing is reinforced polycarbonate construction in white, gray or black finish.
- Corrosion-resistant enclosure with one piece, high-impact resistant, UV stabilized polycarbonate lens and molded gasket with stainless steel screws.
- Knockouts provided for conduit feed applications.

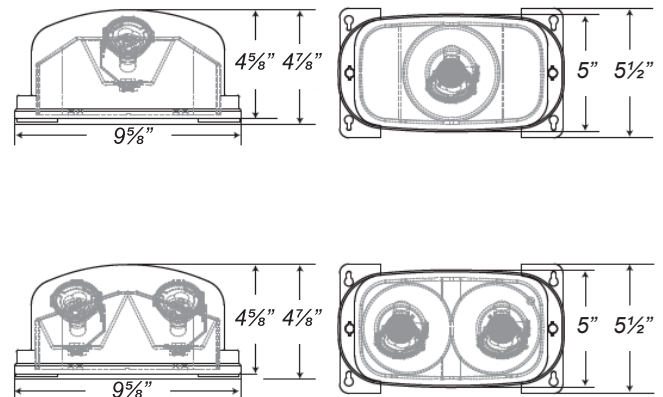
### OPTIONS

- TP: Tamper-proof hardware helps discourage unauthorized access to the unit.

### WARRANTY / LISTING

- Five year warranty.
- UL listed with approved BritePath Lighting Products.
- IP66 rated for Ingress protection.
- Rated for Class 1, Division 2, Groups A,B,C, & D.
- Meets UL924, NFPA 101 Life Safety Code, NEC, OSHA, Local and State Codes.
- UL certified for use in food service operations.

### DIMENSIONS



### FIXTURE COMPATIBILITY CHART

Reference individual unit equipment specification sheets for remote load capacity availability.

TER-RC*	TC-RC*	N4XU
CTC-RC	DAC	TUR*
CTU-RC	TURH	TURM
NYSU	CSUL	CSU
TCL-RC*	WPC-RC	SUL
CRSU	WLU	

\* SDT versions of the fixtures are not compatible with the HLLRH remote heads.

### ORDERING INFORMATION

Sample Part Number: **HLLRH1B**

MODEL	HEADS	HOUSING COLOR	OPTIONS
HLLRH	1	W	TP
	2	B	Tamper-Proof
		G	