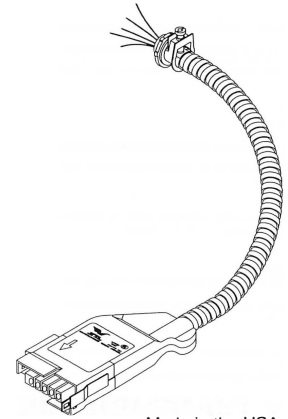


Catalog Number
Notes
Type



Made in the USA

### APPLICATION

The **Distribution Cable** is the starting point of the Open Ceiling "T" system. Once power is brought from the the Lighting Panel to the point of distribution by conventional hard-wiring means, the **Distribution Cable** is installed through a ½" grade size knockout. The **Distribution cable** conductors are spliced to the hard-wired conductors and the interface is complete.

### COMPONENT INFORMATION

CATALOG #S	DESCRIPTION	COLORS
120 Volts		
1DA*	single circuit, 2-wire w/ground	black, white, green
1DB*	two circuit, 3-wire w/ground	black, red, white, green
1DC*	three circuit, 4-wire w/ground	black, red, blue, white & green
277 Volts		
2DA*	single circuit, 2-wire w/ground	brown, grey, green
2DB*	two circuit, 3-wire w/ground	brown, orange, grey and green
2DC*	three circuit, 4-wire w/ground	brown, orange, yellow, grey & green

\* Denotes cable length in feet.

### FEATURES

- Rated for use on 20 ampere branch circuits.
- Manufactured from Type MC Cable featuring 90°C insulated, #12 AWG, solid copper conductors and a #12 AWG insulated, solid copper ground.
- 6 inches of THHN insulated conductors are provided through a ½" connector for connection to the hard-wire system.
- Pin and sleeve connector design.
- To eliminate inter-voltage connection each connectors keyed and color coded to meet specific voltage requirements.
- UL listed and labeled.

### ORDERING INFORMATION

Example: 2DA25

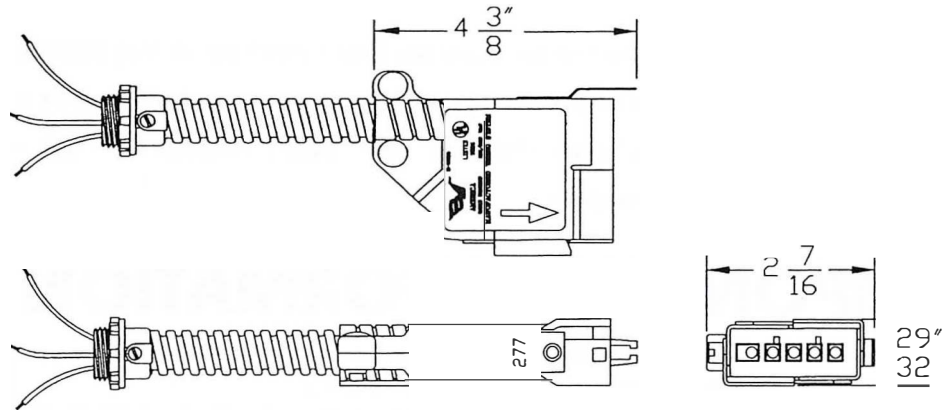
Voltage	D	No. of Wires	Cable Length in Feet	
1 - 120V	D - Distribution Cable	A - 1 circuit w/ ground wire	5 - 5'	25 - 25'
2 - 277V		B - 2 circuit w/ ground wire	10 - 10'	30 - 30'
		C - 3 circuit w/ ground wire	15 - 15"	40 - 40"
			20 - 20"	45 - 50"

# Open Ceiling "T" GmghYa

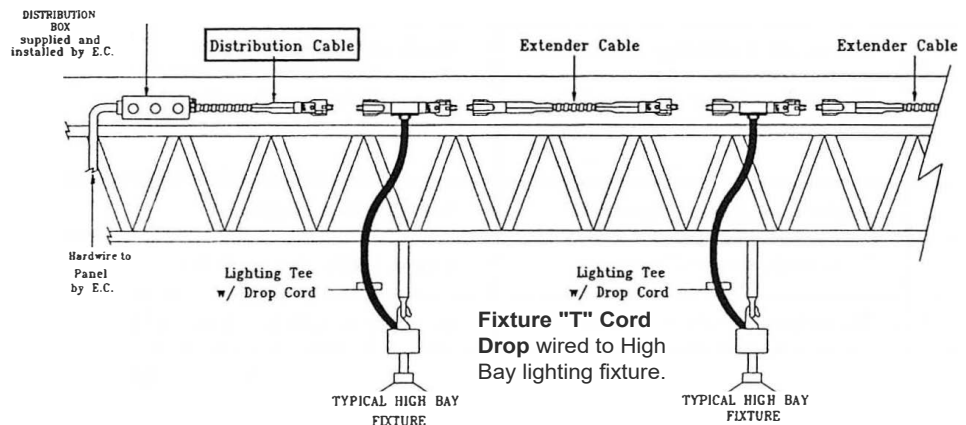
# Distribution Cable

<b>WEIGHT</b>	5.0 pounds (15' Length)
<b>LENGTH</b>	Unrestricted by NEC
<b>MINIMUM COIL DIAMETER</b>	9 Inches (Inner Diameter)
<b>CABLE</b>	
Type	MC
Conductor	Copper, solid, 90°C, THHN
Conductor size	12AWG
Ground Conductor	12 AWG, copper, solid
<b>CONTACT</b>	0.016" tinned copper alloy
<b>CONTACT HOUSING</b>	
Material	Polycarbonate, UL 94V-2
Keying	Complies with NEC 604-6(B)
<b>CONNECTOR HOUSING &amp; STRAIN RELIEF</b>	
Material	0.060" Cold-rolled steel
Plating	Zinc bright dip
Attaching hardware	Rivet, steel, zinc plated
<b>LATCH</b>	#3 zinc alloy, die cast
<b>LATCH STRIKE</b>	
Material	0.028 AISI 1075 cold-rolled spring steel
Plating	Black oxide
<b>MECHANICAL CONNECTOR</b>	½" MC Connector, plated

## KEY DIMENSIONS



## SYSTEM VIEW



**Note:** When unplugging a **Distribution Cable** or an **Extender Cable** from a **Fixture "T" Cord Drop** (wired to a high bay fixture) it will disrupt power to that fixture plus the fixtures connected downstream. However, simply reconnect the **Extender Cables** to restore power to the high bay lighting fixtures.