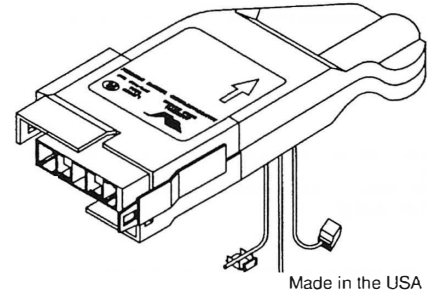


Terminator



Catalog Number
Notes
Type

APPLICATION

Designed to be used on the last lighting fixture of each cable run, the Terminator eliminates the coiling of excess cable above the last lighting fixture which would occur if a lighting cable was installed on the last fixture.

COMPONENT INFORMATION

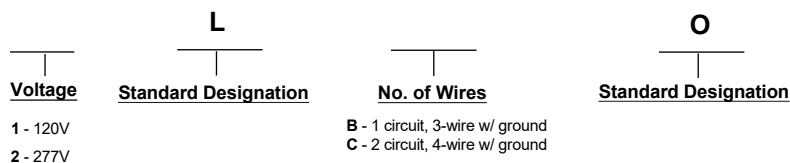
Cat. #'s	Description	Colors
120 Volts		
1LBO	3-wire w/ground, used to terminate both single and dual circuit runs	black, red, white and green
1LCO	4-wire w/ground, three circuit	black, red, blue, white and green
277 Volts		
2LBO	3-wire w/ground, used to terminate both single and dual circuit runs	brown, yellow, grey and green
2LCO	4-wire w/ground, three circuit	brown, yellow, orange, grey, green

FEATURES

- Rated for use on 20 ampere branch circuits.
- Fixture leads are 105 °C insulated, #18 AWG copper conductor.
- Connector housing is zinc-plated .060 inches cold-rolled steel.
- Pin and socket connector design.
- To eliminate inter-voltage connection, each connector is keyed and color coded to meet specific voltage requirements.
- IBEW Assembled, UL listed and labeled.
- Meets requirements of NEC Article 604.
- Acceptable for use in environmental air-handling spaces other than ducts or plenums per NEC Article 300-22(c).

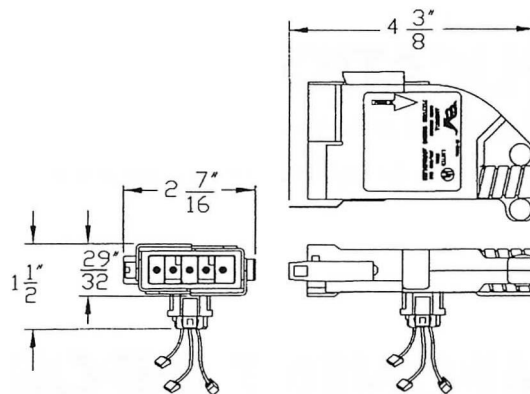
ORDERING INFORMATION

Example: 1LBO



Weight	0.5 pounds
Conductors	
Ground Conductor	12 AWG, copper, solid
Fixture Pigtail	Copper, solid, 105°C, THHN
Pigtail Size	18AWG
Ground Pigtail	18 AWG, copper, stranded
Contact	0.016" tinned copper alloy
Contact Housing	
Material	Polycarbonate, UL 94V-2
Keying	Complies with NEC 604-6(6)
Connector Housing & Strain Relief	
Material	0.060" cold-rolled steel
Plating	Zinc bright dip
Attaching Hardware	Rivet, steel, zinc plated
Latch	#3 zinc alloy, die cast
Latch Strike	
Material	0.028 AISI 1075 cold-rolled
Plating	spring steel Block oxide

KEY DIMENSIONS



SYSTEM VIEW

