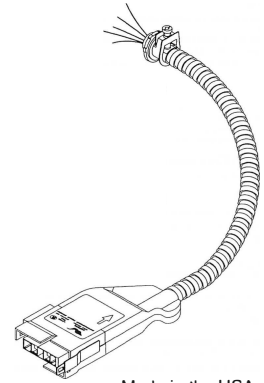


| |
|----------------|
| Catalog Number |
| Notes |
| Type |

APPLICATION

The **Whip End Extender Cable** is an easy way to carry a branch circuit power from any power-out port to a non-accessible ceiling area.



Made in the USA

COMPONENT INFORMATION

| CATALOG #S | DESCRIPTION | COLORS |
|------------------|---------------------------------|---------------------------------------|
| 120 Volts | | |
| 1EA*-W | single circuit, 2-wire w/ground | black, white and green |
| 1EB*-W | two circuit, 3-wire w/ground | black, red, white and green |
| 1EC*-W | three circuit, 4-wire w/ground | black, red, blue, white, and green |
| 277 Volts | | |
| 2EA*-W | single circuit, 2-wire w/ground | brown, grey and green |
| 2EB*-W | two circuit, 3-wire w/ground | brown, orange, grey and green |
| 2EC*-W | three circuit, 4-wire w/ground | brown, orange, yellow, grey and green |

*Denotes cable length in feet.

FEATURES

- Rated for use on 20 ampere branch circuits.
- Manufactured from Type MC Cable featuring 90° C insulated, #12 AWG, solid copper conductors and a #12 AWG insulated, solid copper ground.
- Connector housing is zinc-plated .060 inches cold-rolled steel.
- Pin and socket connector design.
- To eliminate inter-voltage connection, each connector is keyed and color coded to meet specific voltage requirements.
- IBEW Assembled, UL listed and labeled.
- Meets requirements of NEC® Article 604.
- Acceptable for use in environmental air-handling spaces other than ducts or plenums per NEC Article 300-22(c).

ORDERING INFORMATION

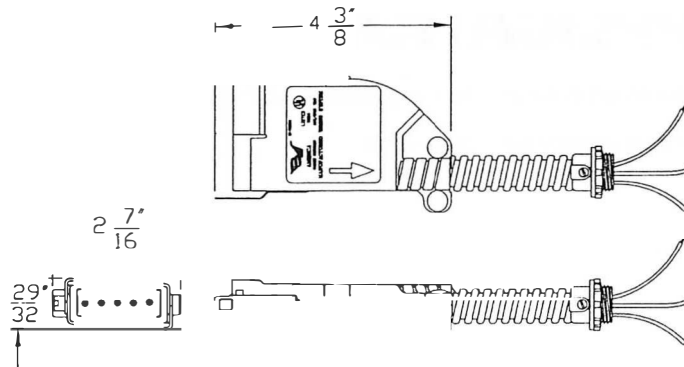
Example: 2EA25-W

| | | | | |
|--|---|---|---|--|
| Voltage 1 - 120V 2 - 277V | E Function E - Extender Cable | No. of Wires A - 1 circuit w/ ground wire B - 2 circuit w/ ground wire C - 3 circuit w/ ground wire | Cable Length in Feet 5 - 5' 10 - 10' 15 - 15" 20 - 20" 25 - 25' 30 - 30' 40 - 40" 45 - 50" | -W Function -W - Whip End Extender Cable with #12AWG lead conductors |
|--|---|---|---|--|

Whip End Extender Cable

| | |
|--|--|
| WEIGHT | 5.0 pounds (15' Length) |
| LENGTH | Unrestricted by NEC |
| MINIMUM COIL DIAMETER | 9 Inches (Inner Diameter) |
| CABLE | |
| Type | MC |
| Conductor | Copper, solid, 90°C, THHN |
| Conductor size | 12AWG |
| Ground Conductor | 12 AWG, copper, solid |
| CONTACT | 0.016" tinned copper alloy |
| CONTACT HOUSING | |
| Material | Polycarbonate, UL 94V-2 |
| Keying | Complies with NEC 604-6(B) |
| CONNECTOR HOUSING & STRAIN RELIEF | |
| Material | 0.060" Cold-rolled steel |
| Plating | Zinc bright dip |
| Attaching hardware | Rivet, steel, zinc plated |
| LATCH | #3 zinc alloy, die cast |
| LATCH STRIKE | |
| Material | 0.028 AISI 1075 cold-rolled spring steel |
| Plating | Black oxide |
| MECHANICAL CONNECTOR | ½" MC Connector, plated |

KEY DIMENSIONS



SYSTEM VIEW

