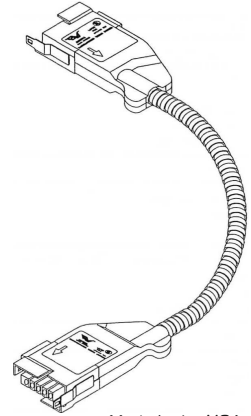


# Extender Cable

Catalog Number
Notes
Type



Made in the USA

### APPLICATION

The **Extender Cables** are utilized when project changes necessitate the lengthening of a **Reverse Lighting Cable**.

### COMPONENT INFORMATION

CATALOG #'S	DESCRIPTION	COLORS
<b>120 Volts</b>		
1EA*	single circuit, 2-wire w/ground	black, white and green
1EB*	two circuit, 3-wire w/ground	black, red, white and green
1EC*	three circuit, 4-wire w/ground	black, red, blue, white and green
<b>277 Volts</b>		
2EA*	single circuit, 2-wire w/ground	brown, grey and green
2EB*	two circuit, 3-wire w/ground	brown, orange, grey and green
2EC*	three circuit, 4-wire w/ground	brown, orange, yellow, grey and green

\*Denotes cable length in feet.

### FEATURES

- Rated for use on 20 ampere branch circuits.
- Manufactured from Type MC Cable featuring 90°C insulated, #12 AWG, solid copper conductors and a #12 AWG insulated, solid copper ground.
- Pin and sleeve connector design.
- To eliminate inter-voltage connection each connector is keyed and color coded to meet specific voltage requirements.
- IBEW Assembled.
- UL listed and labeled.

### ORDERING INFORMATION

Example: 2EA25

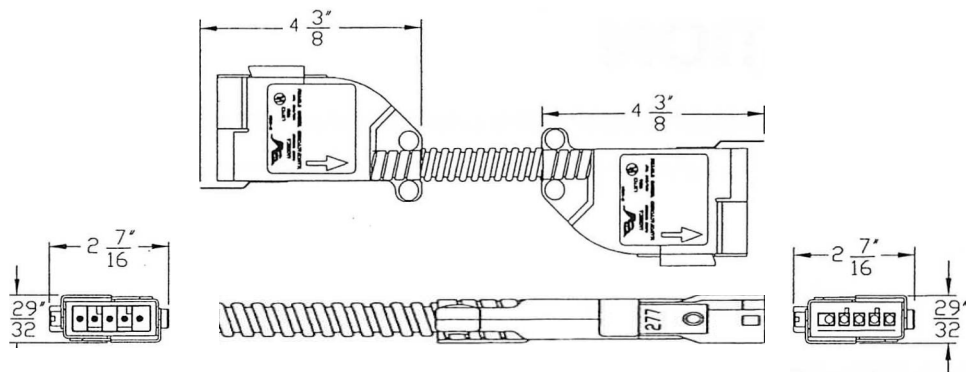
 <b>Voltage</b>	E   <b>Function</b>	 <b>No. of Wires</b>	 <b>Cable Length in Feet</b>
1 - 120V 2 - 277V	E - Extender Cable	A - 1 circuit w/ ground wire B - 2 circuit w/ ground wire C - 3 circuit w/ ground wire	5 - 5' 10 - 10' 15 - 15" 20 - 20" 25 - 25' 30 - 30' 40 - 40" 45 - 50"

# Recessed Ceiling Flex<sup>2</sup> System

# Extender Cable

<b>WEIGHT</b>	5.0 pounds (15' Length)
<b>LENGTH</b>	Unrestricted by NEC
<b>MINIMUM COIL DIAMETER</b>	9 Inches (Inner Diameter)
<b>CABLE</b>	
Type	MC
Conductor	Copper, solid, 90°C, THHN
Conductor size	12AWG
Ground Conductor	12 AWG, copper, solid
<b>CONTACT</b>	0.016" tinned copper alloy
<b>CONTACT HOUSING</b>	
Material	Polycarbonate, UL 94V-2
Keying	Complies with NEC 604-6(B)
<b>CONNECTOR HOUSING &amp; STRAIN RELIEF</b>	
Material	0.060" Cold-rolled steel
Plating	Zinc bright dip
Attaching hardware	Rivet, steel, zinc plated
<b>LATCH</b>	#3 zinc alloy, die cast
<b>LATCH STRIKE</b>	
Material	0.028 AISI 1075 cold-rolled spring steel
Plating	Black oxide
<b>MECHANICAL CONNECTOR</b>	½" MC Connector, plated

## KEY DIMENSIONS



## SYSTEM VIEW

